

BUNN®



**Model
1691**



**Model
2491**

STANDARD MODELS

1091, 1691, 1991, 2091, 2491, and 3091 TYING MACHINES

- ✓ New style guarding, easier access for service work.
- ✓ Electrical disconnect prohibits use of the machine without guarding.
- ✓ New high strength, quality frames.
- ✓ Choice of wraps, front tables and twines or polytapes.
- ✓ The Bunn knotter lock gives traditional long service capability.
- ✓ Patented dual tension stringholder.
- ✓ Double headed drawslide, roller twine arms for interchangeability of twines and polytapes.
- ✓ Superior tension control for tightest possible tie.

The all new BUNN TYER has improved strength, quality and longevity, and utilizes the latest manufacturing technology while using the same concept as the original Bunn Tying Machines.



OPERATIONS

Simple operation. The operator positions the package on the front table, then presses the foot trip. By means of a revolving arm that carries the twine around, the package is secured. The Bunn Tying machine automatically adjusts the length of twine.

APPLICATIONS

Bunn Tying machines are ideally suited for the following applications:

- Printers, publishers, direct mail operations
- Cartons, boxes, bundles
- Textiles, garments and commercial laundries
- Industrial, furniture, wood products
- Retail, food, pharmaceutical, electronics distribution

FEATURES

- Cycle speed of up to 44 ties per minute
- Newly designed guard for safety and easy service
- Automatic and adjustable tension for reduced product damage
- Re-designed casters for improved mobility
- New high strength, quality frames

OTHER QUALITY BUNN PRODUCTS:

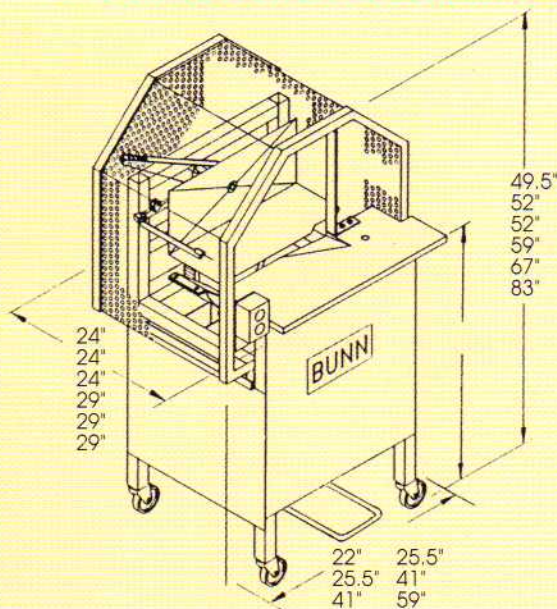
TWINE • POLY TAPE

GENUINE BUNN TYER & STRAPPER PARTS

STRAPPING MACHINES • STRAP

HAND STRAPPING TOOLS

SPECIFICATIONS & ORDERING INFORMATION:



10", 16", 19",
20", 24" & 30"

POWER REQUIREMENTS

Electric 110/115V
60 Cycles (Hz)
Single Phase
1/4 hp 1,725 rpm
Optional: 220/230V

1091

Net Weight: 235 lbs.
Type of Wrap:
One wrap one way
Double wrap one way
Double wrap cross tie
Triple wrap one way
Triple wrap cross tie
Depth of Throat: 7"

1691

Net Weight: 235 lbs.
Type of Wrap:
One wrap one way
Double wrap one way
Double wrap cross tie
Triple wrap one way
Triple wrap cross tie
Depth of Throat: 8"

1991

Net Weight: 235 lbs.
Type of Wrap:
Double wrap one way
fast tie
Depth of Throat: 8"

2091

Net Weight: 235 lbs.
Type of Wrap:
One wrap one way
Double wrap one way
Double wrap cross tie
Triple wrap one way
Triple wrap cross tie
Depth of Throat: 12"

2491

Net Weight: 250 lbs.
Type of Wrap:
One wrap one way
Double wrap one way
Double wrap cross tie
Depth of Throat: 12"

3091

Net Weight: 260 lbs.
Type of Wrap:
One wrap one way
Double wrap one way
Double wrap cross tie
Depth of Throat: 12"

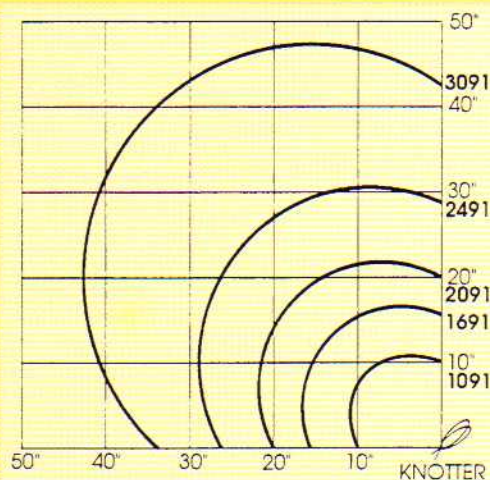


Chart shows the swing of the twine arm on the 5 models indicating maximum height and width of the package that can be tied.

B.H. BUNN COMPANY

2730 Drane Field Road • Lakeland, FL 33811-1395

(800) 222-BUNN • (863) 647-1555 • Fax: (863) 686-BUNN

QUALITY TYING AND STRAPPING MACHINES & SUPPLIES

WWW.BUNNTYCO.COM

COPYRIGHT 1999 B.H. BUNN CO.

B.H. BUNN AUTHORIZED DISTRIBUTOR: