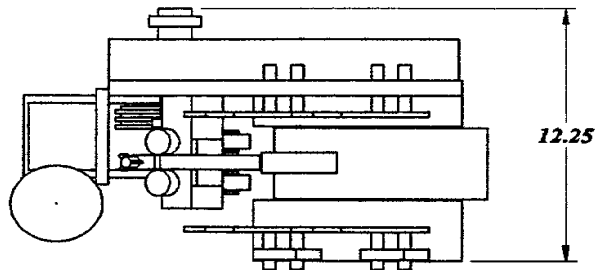


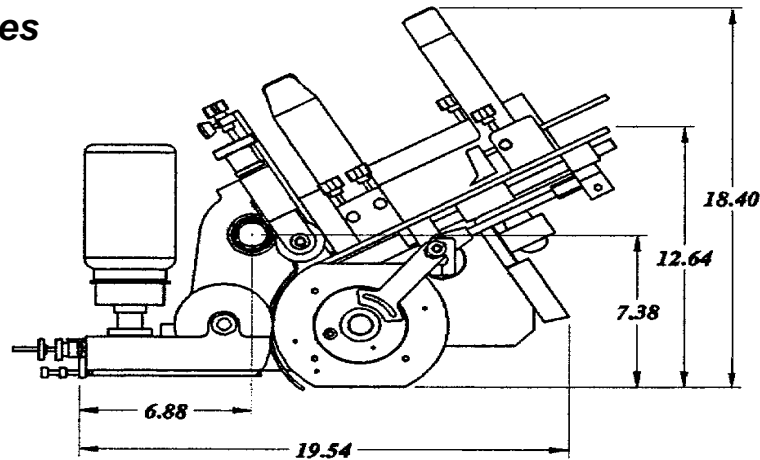


KR203 TIP-ON HEAD

Kirk-Rudy, Inc. • 125 Lorraine Parkway • Woodstock, GA 30188
Phone: (770) 427-4203 • Fax: (770) 427-4036



**Glues & applies
3" x 5" cards, invoices
and credit cards**



Features:

- ◆ Vacuum assist shuttle feed system
- ◆ Mounts onto KR-215 labeling base or KR-219 inline base
- ◆ Glue pot for adhesive mixture
- ◆ Reversible glue wheel scraper reduces spare parts requirements

Options:

- ◆ Narrow vacuum body for credit card applications
- ◆ Rubber tip gate
- ◆ Differential drive for "on the fly" position changes

Specifications:

- ◆ Power Requirements:
Mechanical: ½ HP
Input drive: 1" diameter shaft
Electrical requirements: 120 V
1.0 Amp
60 Hz
- ◆ Vacuum: 25" Hg
- ◆ Maximum Cycle Speed:
11" Spacing: 12 K/Hr
22" Spacing: 6 K/Hr
- ◆ Media Size:
Minimum: 2" x 2"
Maximum: 7" x 8"
Minimum Thickness: 20 lb
- ◆ Credit Cards:
Maximum Thickness 0.030"
embossed
- ◆ Registration:
+/- 3/16"

**Specifications subject to change without notification

**Guards have been removed for clarity; do not operate machine without guards in place