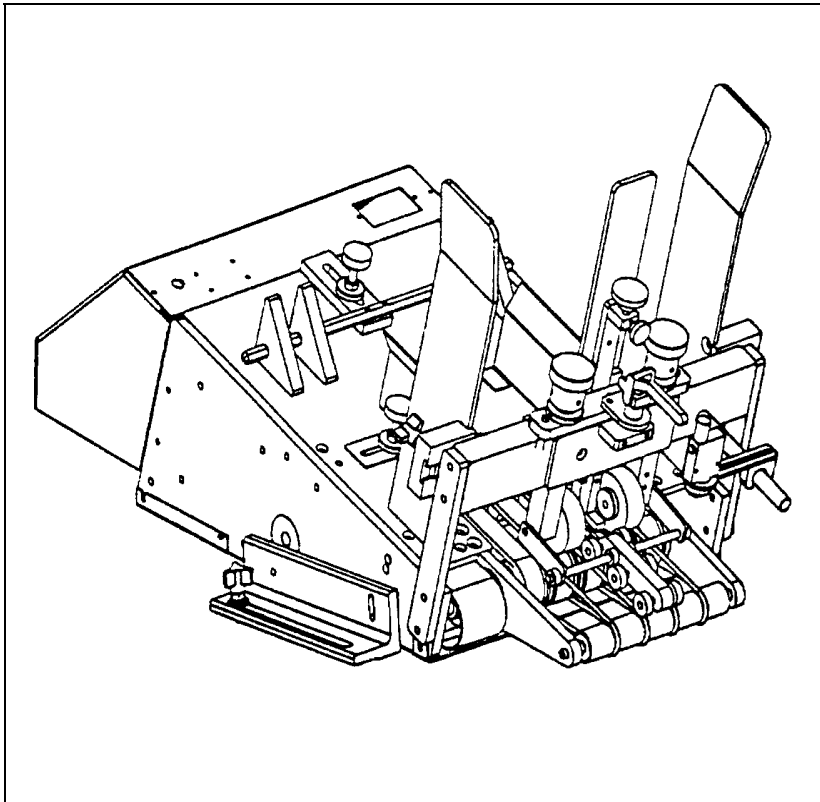




# **KR496FC Friction Clutch Feeder**

**Kirk-Rudy, Inc.** • 125 Lorraine Parkway • Woodstock, GA 30188  
Phone: (770) 427-4203 • Fax: (770) 427-4036



## **FEATURES**

\*Easily feeds difficult items such as Z-Folds and Open-ends.

\*Portable design. Easily mounts onto KR215 and KR219 Feed Bases.

\*Clutched feeding for timed applications and or batch counting

\*Rugged construction.

## **OPTIONS**

\*Extended outfeed Section.

\*Double Detection

\*Misfeed Detection

\*Bridge Width Extensions  
14,16,18,24 inch.

## **SPECIFICATIONS**

<b>Dimensions:</b>	Length:	23 IN	584 MM
	Width:	12.8 IN	325 MM
	Height:	17.5 IN	445 MM

**Power Requirements:** Electrical 120 VAC, 5.0 AMPS, 50/60 HZ

**Belt Speed:** Variable to 800 FT/MIN

<b>Product Capacity:</b> (Standard)	Width:	Minimum	3 IN.	76 MM
		Maximum	11 IN.	282 MM
	Length	Minimum	4 IN.	101 MM
		Maximum	12 IN.	305 MM
	Thickness:	Minimum	0.004 IN	0.10 MM
		Maximum	0.188 IN	4.78 MM