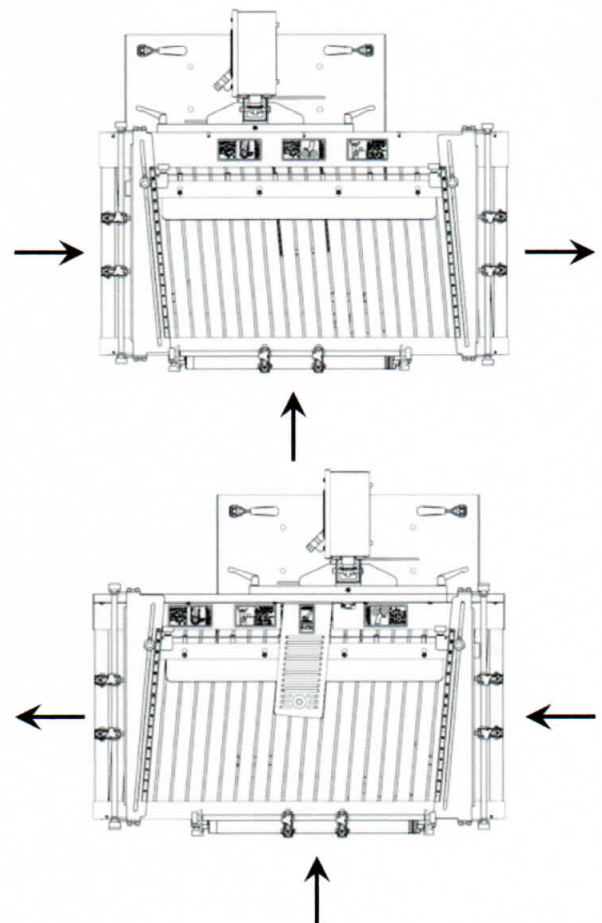
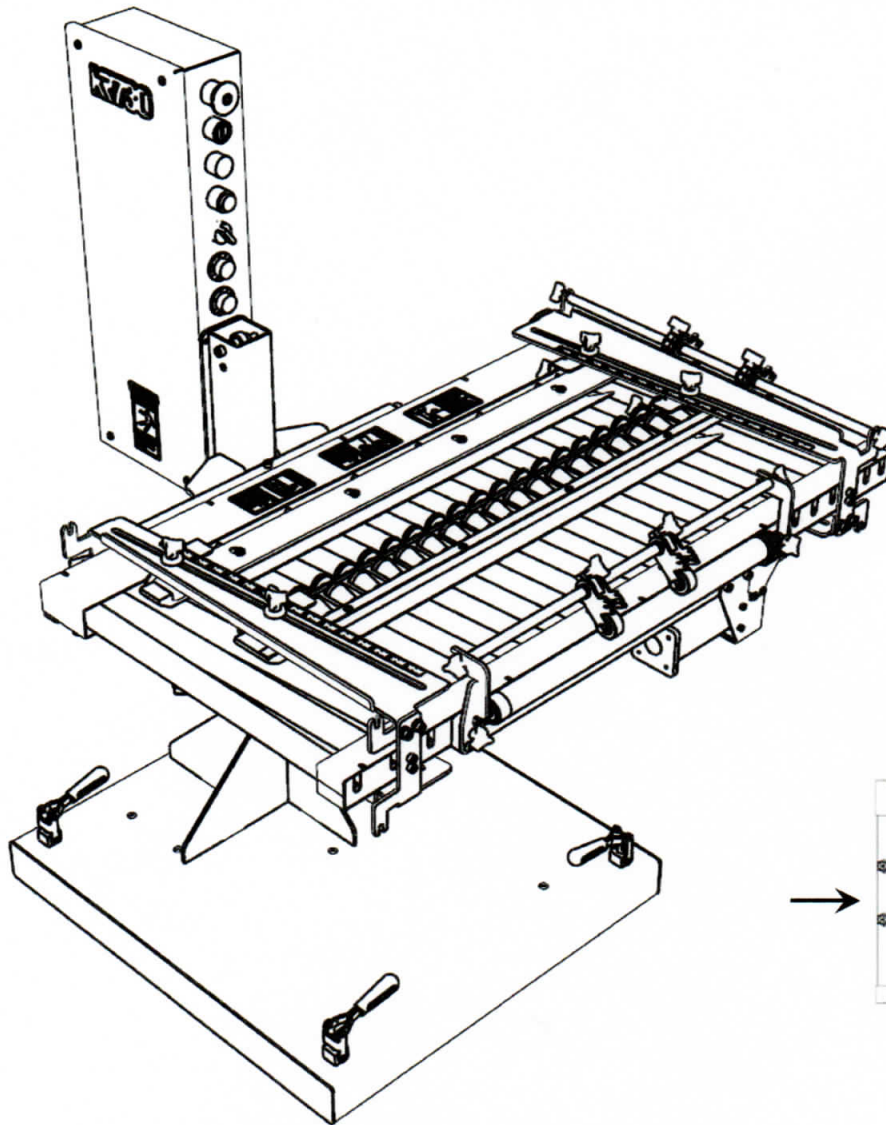


KR 730 Roller Registration Conveyor

Registers in a 90 degree or straight through configuration



Register a wide range of product efficiently and conveniently with the KR 730 Roller Registration Conveyor. The KR 730 is a combination of the latest technology and new innovative features that allow you to use it throughout your facility.

The KR 730 adjusts quickly and easily to accommodate a wide range of material from small 3" x 3" single sheet up to 14" x 14" books. The unique non-angled infeed and outfeed rollers maintain registration integrity.

The unique design of the KR 730 allows you to configure it to match your space requirements. Product can exit right, left or straight through. Changeover between exit positions is quick and easy.

The versatility of the KR 730 separates it from the competition. Invest in the KR 730 and find out how a little versatility can make a big difference in your productivity.

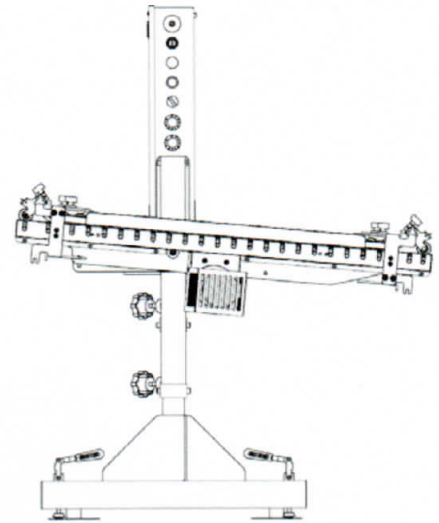
A wide product size range and the ability to deliver product registered inline, to the right or left make the KR 730 one of the most versatile roller registration conveyors on the market.

General Specifications

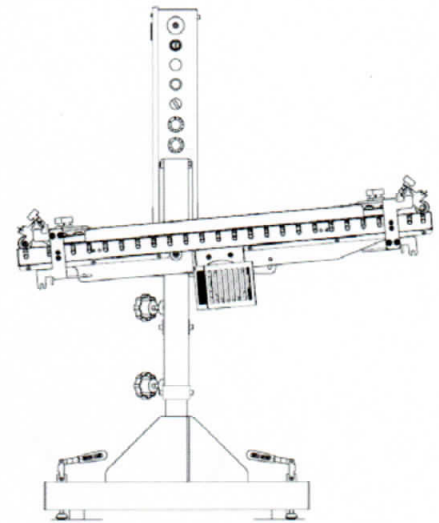
- ◆ Electrical Requirements: **120V, 1PH, 8A, 60Hz**
- ◆ Physical Dimensions:
 - Length: **38.25"** (97.2cm)
 - Width: **34"** (86.4cm)
 - Over All Maximum Height: **58.5"** (148.6cm)
 - Maximum Conveyor Height: **37.5"** (95.2cm)
 - Minimum Conveyor Height: **24.0"** (60.94cm)
 - Max Incline/Decline Angle: **8 Degrees**
 - Max Height Difference: **5"** (12.7cm)
- ◆ Roller Maximum Speed: **620'/min** (190m/min)
- ◆ Product Specifications:
 - Minimum: **3" x 3"** (76.2mm x 76.2mm)
 - Maximum: **14" x 14"** (355.6mm x 355.6mm)
 - Minimum Thickness: **.004"** (.102mm)
 - Maximum Thickness: **.25"** (6.4mm)

Features

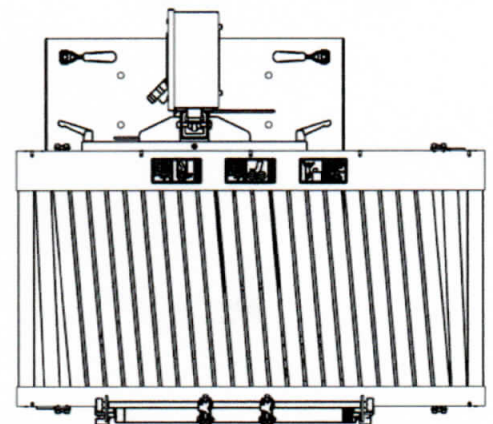
- ◆ First angled roller registration table to include non-angled transfer rollers on the infeed and outfeed to ensure the product stays registered after leaving the conveyor
- ◆ Quickly convert conveyor from "left to right" to "right to left" product flow by rotating the table 180 degrees
- ◆ Accurately control the speed of the in-coming product with the speed-up roller to ensure proper delivery for registration every time
- ◆ Consistently register product in a 90 degree or straight through product flow configuration
- ◆ Easily transport product from up to 5 inches in height difference by using the conveyor as an incline or decline conveyor while registering your product
- ◆ Super fast set-up times with no tools required
- ◆ Height adjustments are made quick and easy by the assistance of a gas spring
- ◆ Move easily in place with four swivel casters and foot operated floor jacks
- ◆ Unique belt drive system keep things quiet and is easy to maintain with quick belt changes to greatly minimize down time
- ◆ Adjustable product transfer pinch rollers help transfer product at critical points and ensure product stays registered
- ◆ Designed to handle small product sizes
- ◆ A customizable ball skid-bar is included to handle most product
- ◆ Individually driven cones skid-bar is included to handle heavy product
- ◆ Two variable high speed DC motors
- ◆ Control panel is mounted high for maximum visibility and ease of use
- ◆ Up stream "Stop-Out" and down stream "Stop-In" interface
- ◆ Regenerative motor drive allows forward and reverse operation while preventing possible damage to motor and drive



The KR730 conveyor is shown being used as a decline conveyor.



The KR730 conveyor is shown being used as an incline conveyor.



The unique infeed and outfeed rollers are not angled to ensure the product stays registered after leaving the conveyor.