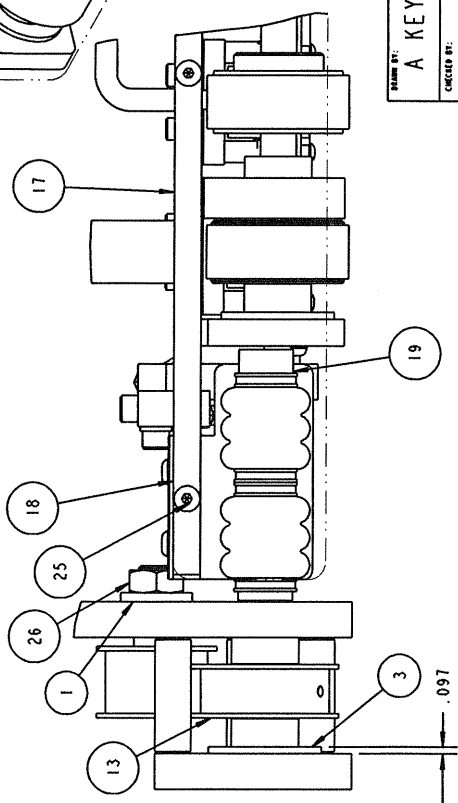
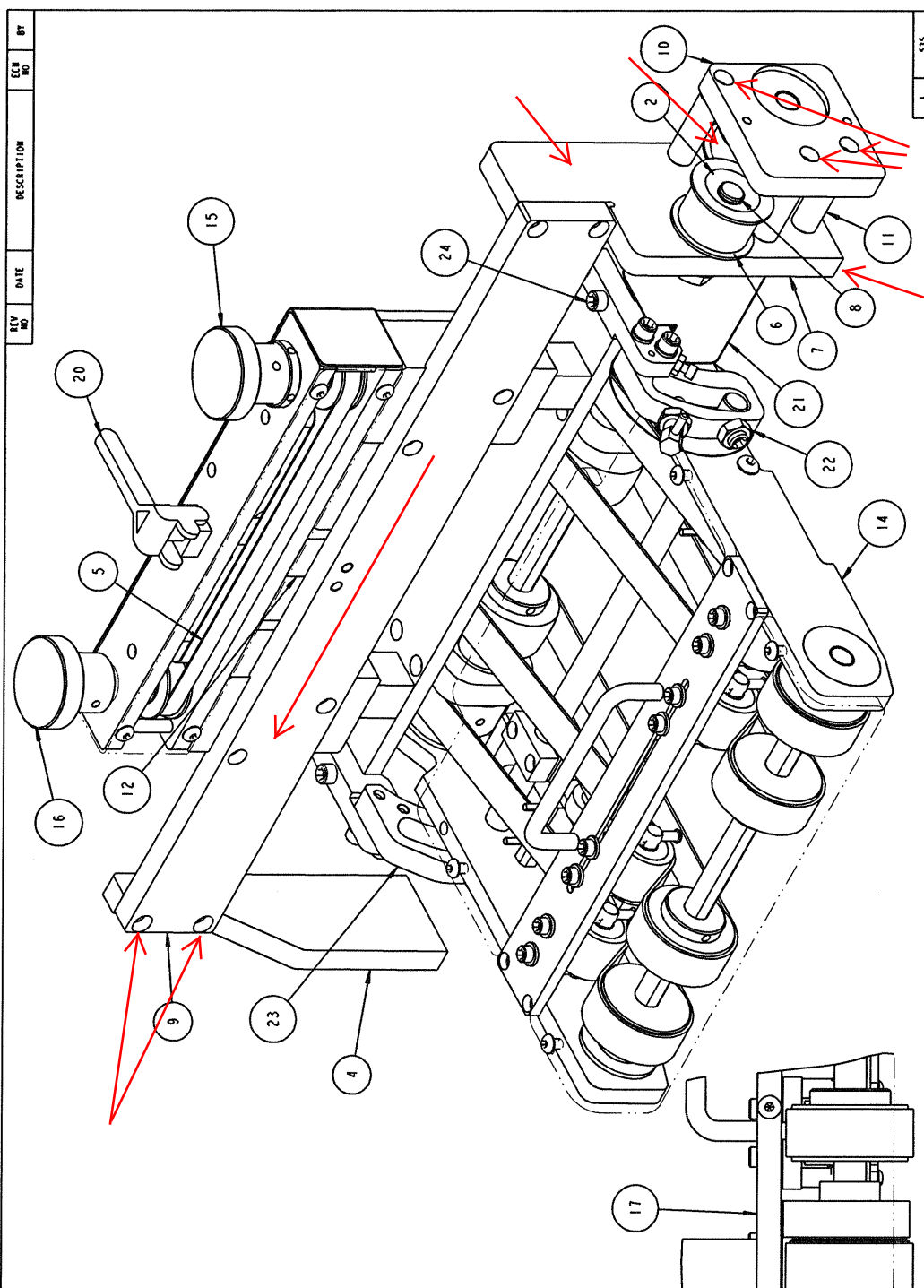


ITEMITY	PART #	DESCRIPTION
1	100404	WASHER, THRUST TW52
2	103108	BEARING, FLAT .500
3	103803	BEARING, HUB .500
4	528230	PLATE-BRIDGE SUPPORT
5	109002-4	BELT, TIMING 210XLO37
6	109484-1	PULLEY, TIMING 12L075 I. 125B MK
7	528227-1A	ASSY, SUPPORT PLATE
8	528232-1	STUD-TAKEUP
9	528242-2	BAR-BRIDGE CROSS
10	537293-01	PLATE, BEARING SUPPORT
11	531305-01	SPACER, BEARING PLATE
12	531308-01	ANGLE, UPPER BELT LIFT
13	531590-01	PULLEY, TIMING 15L050 .500B .125K
14	539950-01	ASSY, UPPER BELT
15	539966-01	ASSY, TABLETOP BELT
16	539967-01	ASSY, TABLETOP BELT
17	539969-01	PLATE, BEARING BLOCK MOUNT
18	539970-01	COVER, UPPER BELT
19	539973-01	ASSY, UNIVERSAL UPPER BELT
20	539984-01	ASSY, UPPER ADJUST
21	539985-01	COVER, UNIVERSAL
22	541134-01	ASSY, RH UPPER BELT LOCK
23	541135-01	ASSY, LH UPPER BELT LOCK
24	CSD0294	SCREW, SHCS 1/4-20X.750
25	CSFF57	SCREW, BUTTON HEAD #10-32X.375
26	HJN014	NUT, JAM 1/2-13



DIMENSIONAL TOLERANCES UNLESS OTHERWISE NOTED FRACTIONS TO NEAREST THIRDS UNLESS OTHERWISE NOTED DECIMALS TO NEAREST THIRDS UNLESS OTHERWISE NOTED ALL DIMENSIONS ARE UNLESS OTHERWISE NOTED UNLESS INDICATED OTHERWISE	SCALE: 0.500 DATE: 11-May-01 MASTER	MATERIAL: N/A HEAT TREAT: N/A FINISH: N/A	TITAN RIGID PRODUCTION PROPERTY AND CONFIDENTIAL NO PORTION OF THIS DRAWING MAY BE REPRODUCED OR COPIED IN ANY FORM WITHOUT THE EXPRESS WRITTEN PERMISSION OF KIRK - RUDY, INC. KENNESAW, GA 30144 USA TIME:	REV'D WHERE USED 1 535
DRAWN BY: A KEY CHECKED BY: TRACED BY:	KIRK - RUDY, INC. KENNESAW, GEORGIA	ASSY, BRIDGE	SHEET TOF 3 537293-03	535

Replacing Universal Shaft on a KR535 Tabber

1. Remove left side plow
2. Remove 4 Bridge Screws (bridge will slide out to left)
3. 2 Screws under #3 plate
 - a. Remove 1 screw and loosen the other
 - b. Plate will pivot and belt can be pulled off the pulley
4. Remove 3 screws – plate comes off after #5
5. Loosen set screws on universal shaft & Keyway.