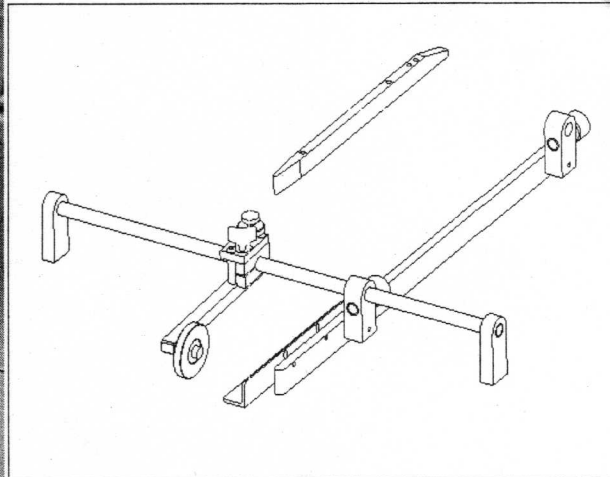
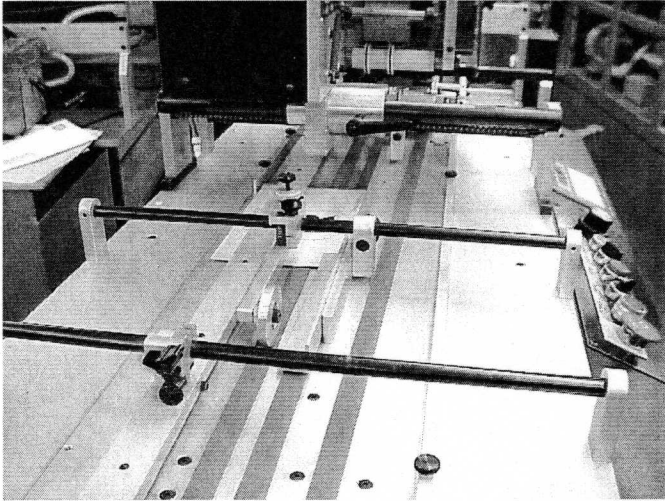


Kennesaw, GA 30144 U.S.A.

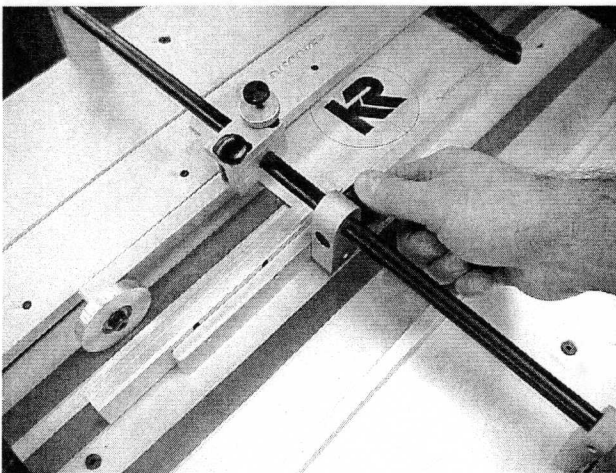
NO: 539507-00	REV: 1	PAGE: 1 of 3	DATE ISSUED: 8-8-2000
WRITTEN BY: A KEY	DATE: 8-8-2000	APPROVED BY:	DATE:
SUBJECT: KR535 TABBER BUMP TURN INSTRUCTIONS			



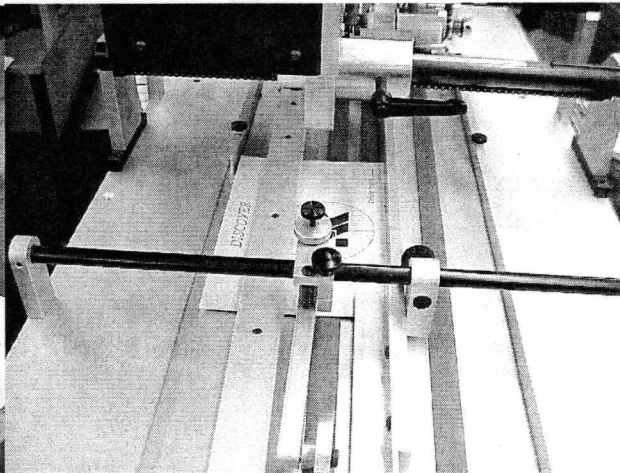
**537503-01 Bump Turn Kit**

## Bump Turn Setup Procedure

1. Folded product must enter the tabber belts folded edge first. Adjust the bump turn side guide (see **Figure 1**) to fit the width of the product (see **Figure 2**). The side guide must not line up over a conveyor belt. The two center belts can be adjusted to miss the side guide by moving the outfeed crown drive rollers. The belts will track anywhere you move the drive crown rollers.



**Figure 1**



**Figure 2**

