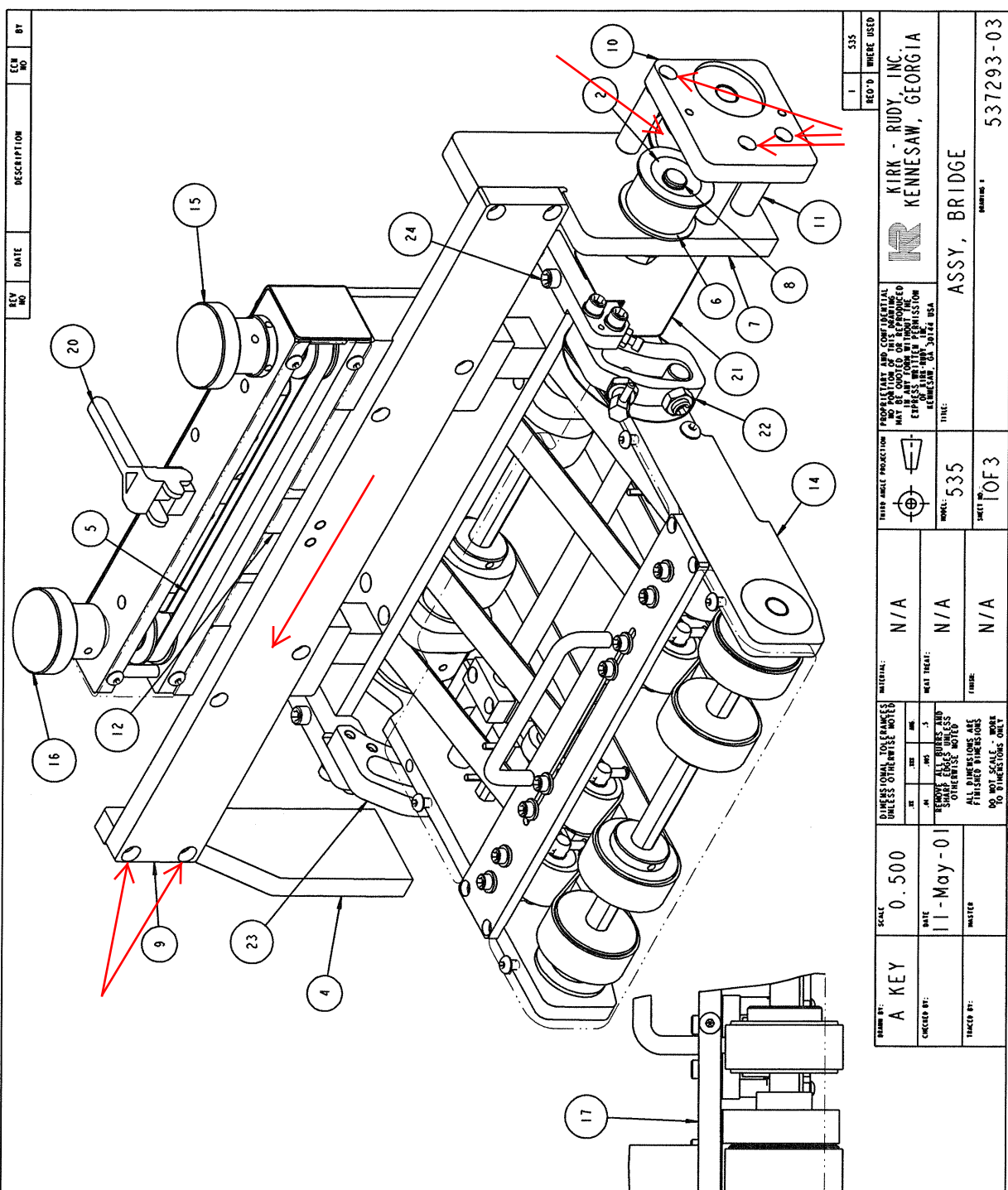
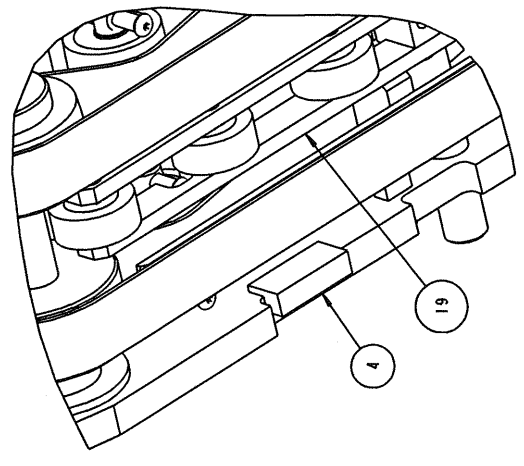
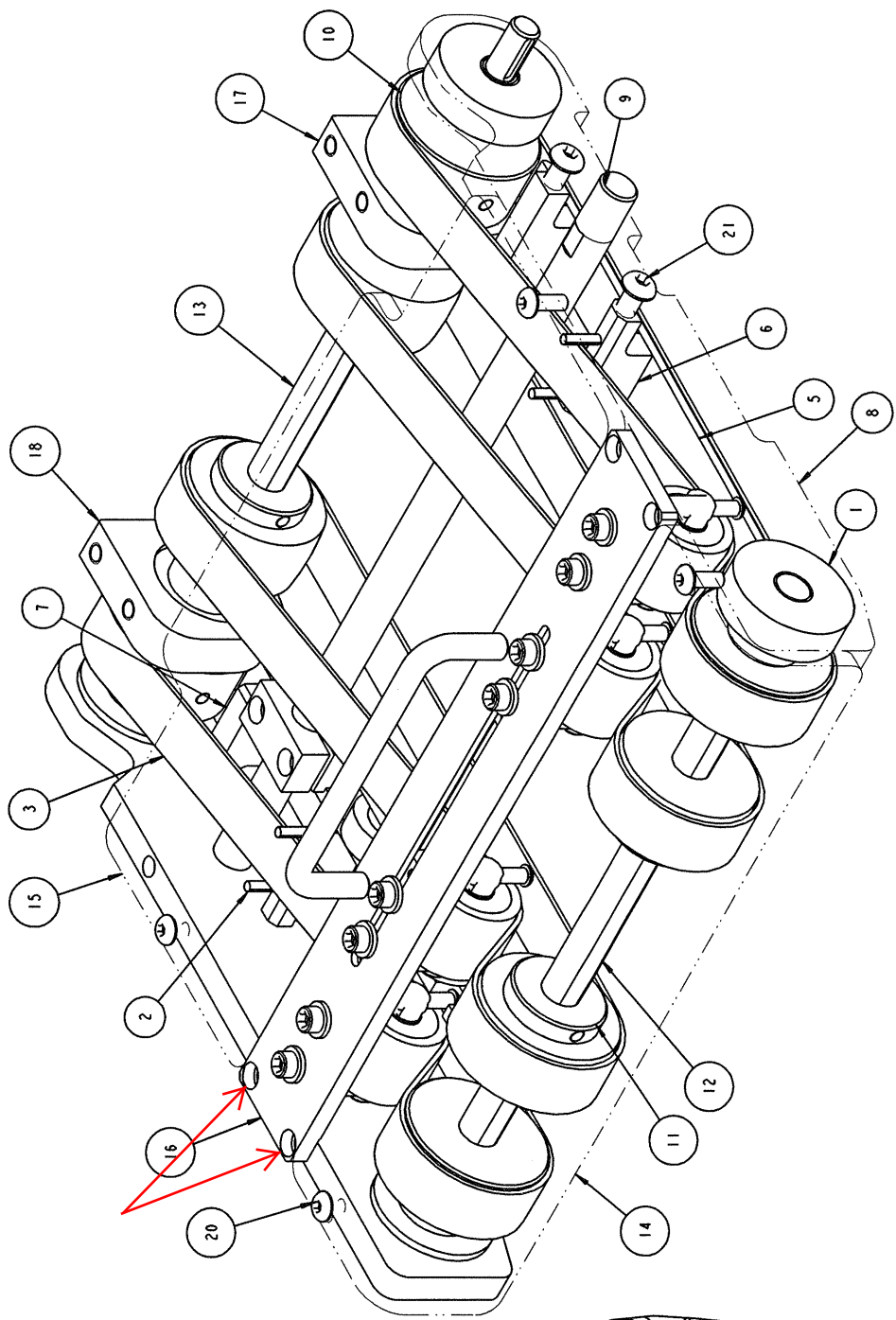


ITEMITY	PART #	DESCRIPTION
1	100404	WASHER, THRUST TW52
2	103108	BEARING, FLAT .500
3	103803	BEARING, HUB .500
4	528230	PLATE-BRIDGE SUPPORT
5	109002-4	BELT, TIMING 210XL037
6	109484-1	PULLEY, TIMING 12L075 1.125B MK
7	528227-1A	ASSY, SUPPORT PLATE
8	528232-1	STUD-TAKEUP
9	528242-2	BAR-BRIDGE CROSS
10	537293-01	PLATE, BEARING SUPPORT
11	531305-01	SPACER, BEARING PLATE
12	531308-01	ANGLE, UPPER BELT LIFT
13	531750-01	PULLEY, TIMING 15L050 .500B .125K
14	539950-01	ASSY, UPPER BELT
15	539966-01	ASSY, TABLETOP BELT
16	539967-01	ASSY, TABLETOP BELT
17	539969-01	PLATE, BEARING BLOCK MOUNT
18	539970-01	COVER, UPPER BELT
19	539973-01	ASSY, UNIVERSAL UPPER BELT
20	539984-01	ASSY, UPPER ADJUST
21	539985-01	COVER, UNIVERSAL
22	541134-01	ASSY, RH UPPER BELT LOCK
23	541135-01	ASSY, LH UPPER BELT LOCK
24	CSD0294	SCREW, SHCS 1/4-20X .750
25	CSFF57	SCREW, BUTTON HEAD #10-32X .375
26	HJN014	NUT, JAM 1/2-13



REV NO	DATE	DESCRIPTION	REV NO	BY
SCALE: 0.500		DIMENSIONAL TOLERANCES UNLESS OTHERWISE NOTED	MATERIAL: N/A	
DATE: 11-May-01		FINISH: N/A	HEAT TREAT: N/A	
CHECKED BY: MASTER		TITLED: 535		
TRACED BY:		SHEET: 1 OF 3		
		DRAWN BY: N/A		
		PROPRIETARY AND CONFIDENTIAL		
		NO PORTION OF THIS DRAWING		
		MAY BE REPRODUCED OR TRANSMITTED		
		IN ANY FORM OR BY ANY MEANS		
		WITHOUT PERMISSION		
		EXCEPT AS MAY BE PROVIDED		
		IN WRITING BY KIRK-RUDY, INC.		
		KIRK-RUDY, INC.		
		KENNESAW, GEORGIA		
		ASSY, BRIDGE		
		537293-03		

ITEM/TTY	PART #	DESCRIPTION
1	103803	BEARING, HUB .500
2	105210	PIN, ROLL .125X.750
3	106550	BELT, FLAT 23.812 X .750
4	201170	SWITCH, SAFETY DOOR
5	539951-01	PLATE, BELT GUIDE
6	539952-01	PLATE, BELT SUPPORT MOUNT
7	539952-02	PLATE, BELT SUPPORT MOUNT
8	539953-01	ARM, UPPER BELT SUPPORT
9	539954-01	SHAFT, UPPER BELT ADJUST
10	539958-01	ROLLER, BELT DRIVE
11	539958-02	ROLLER, BELT DRIVE
12	539960-01	SHAFT, INFEED IDLER ROLLER
13	539961-01	SHAFT, OUTFEED DRIVE ROLLER
14	539962-01	COVER, INFEED
15	539963-01	COVER, OUTFEED
16	539965-01	ASSY, BELT TAKE UP
17	539972-01	PLATE, RH BEARING
18	539972-02	PLATE, LH BEARING
19	541742-01	KIT, FLOATING ROLLER SKID BAR
20	CSFF58	SCREW, BUTTON HEAD #10-32X.500
21	CSFF65	SCREW, BUTTON HEAD 1/4X.500



REV. NO.	DATE	DESCRIPTION	BY	BT
1				

DIMENSIONAL TOLERANCES UNLESS OTHERWISE NOTED FINISHES UNLESS OTHERWISE NOTED DIMENSIONS ARE IN INCHES UNLESS OTHERWISE NOTED ALL DIMENSIONS ARE UNLESS OTHERWISE NOTED NO DIMENSIONS ONLY	SCALE: 0.750	MATERIAL: N/A	DATE: 30-Apr-01	HEAT TREAT: N/A	FINISH: N/A
	CHECKED BY:	TRACED BY:	DATE: 30-Apr-01	HEAT TREAT: N/A	FINISH: N/A
TITAN MACHINE PRODUCTION PROPRIETARY AND CONFIDENTIAL NO PORTION OF THIS DRAWING MAY BE REPRODUCED OR TRANSMITTED IN ANY FORM OR BY ANY MEANS WITHOUT THE WRITTEN PERMISSION OF KIRK - RUDY, INC. KENNESAW, GA 30144 USA TITLE: ASSY, UPPER BELT	MODEL: 535 SHEET: 1 OF 2	PART: 535 WHERE USED:	KIRK - RUDY, INC. KENNESAW, GEORGIA	NUMBER 1 539950-01	

## Replacing Upper Belts on a KR535 Tabber

1. Remove left side plow
2. Remove 4 Bridge Screws
3. Remove 3 screws on plate and loosen belt tension – remove belt
4. Loosen set screw on pulley
5. Bridge should be loose & will slide to the left
6. Remove 4 screws holding belt tension plate