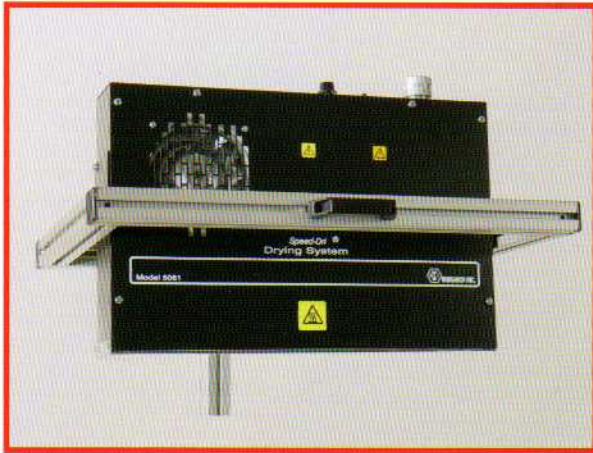


Speed-Dri®

Infrared Ink Drying System

Product Data Sheet

Model 5061



Speed-Dri® Ink Drying Systems

The Model 5061 Speed-Dri Ink Drying System provides instantaneous infrared and convection technologies to dry ink printed on target areas up to four inches (102 mm) wide. Dependent on application specifics, web speeds of up to 500 feet/min (152 m/min) can be achieved using the Model 5061 Speed-Dri.

The Model 5061 Speed-Dri makes it simple to add extra capability enabling increased line speeds. Designed for easy installation, low operation cost, and minimal maintenance, the system is an economical solution for improving throughput resulting in increased profitability.

Radiant & Convection Drying

Array of fast responding, medium-wave quartz lamps provide infrared heat directly to the printed ink resulting in immediate evaporation of the ink solvent. An integrated fan blows air past the lighted lamps resulting in heated air impingement on the target product surface. Extremely fast drying rates result from the use of both heat transfer modes.

Agency Approvals

The Model 5061 Speed-Dri system meets all CE, UL, and cUL requirements.

Compact, Modular Design

Overall dimensions: 21.1 inches (381 mm) long, 13.8 inches (294 mm) high, 4 inches (102 mm) wide. Two units can be mounted side-by-side to increase effective drying width to 8 inches (203 mm).

Tachometer Input

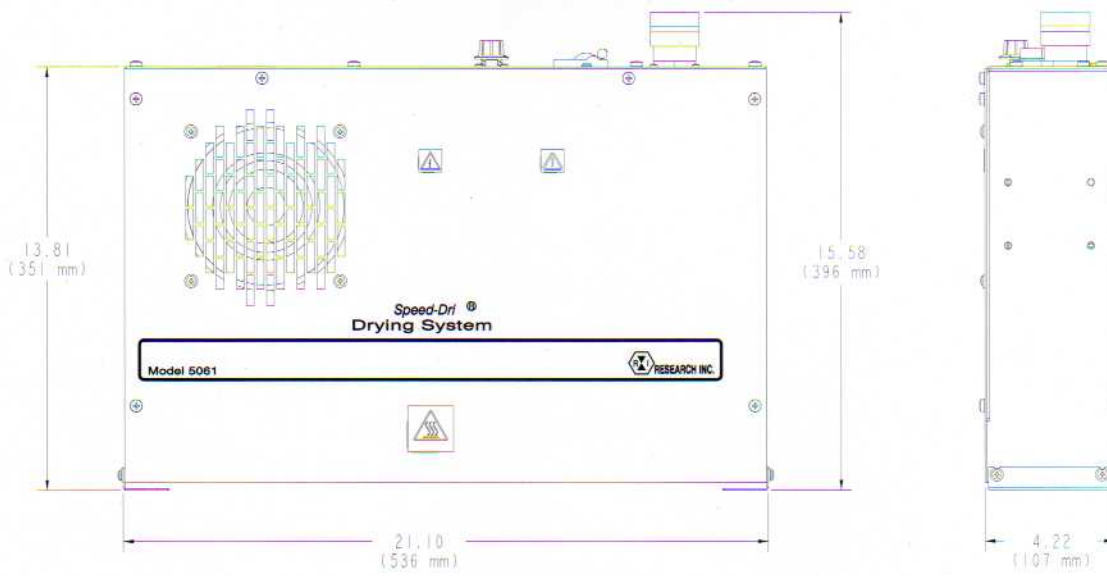
Automatic heat adjustment is a standard feature, available using the tachometer input circuitry and Tachometer Kit.

Your Ticket To Speed!

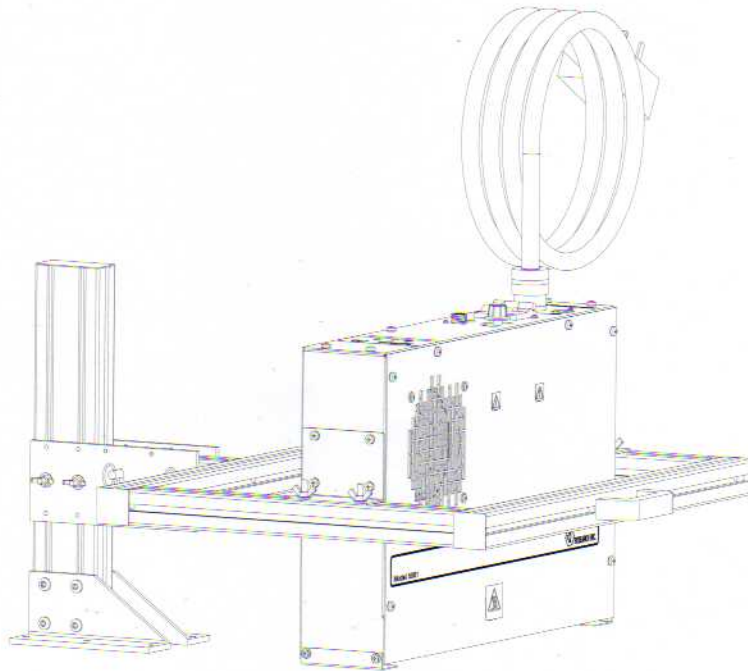


RESEARCH INC.

Speed-Dri-5061-D-01-A



Model 5061 Speed-Dri Dimensions – inches (mm)



Model 5061 with Mounting Brackets

Model 5061 Speed-Dri Specifications	
Maximum Drying Width	4 inches (102 mm)
Overall Length	21.1 inches (254 mm)
Heated Length	16 inches (406 mm)
Lamps (5 Total)	1875 watts
Lamp Rated Voltage	240 volts
Applied Lamp Voltage	240 volts
Amps at Applied Voltage	39 amps
Power at Applied Voltage	9.4 kW
Interlock Relays	120 VAC, 24 VAC, 24 VDC (customer-specified)
Mounting Hardware	Extruded Aluminum
Controls	On/Off switch
	Manual Heat Adjustment via Potentiometer
	Automatic Heat Adjustment via Tachometer Input Circuitry and External Tachometer Kit
Operation Interrupts	Heater module turns off automatically when raised from its horizontal position
	When the interlock connections are made, the heater module will not function unless the transport is running
Agency Approvals	CE, UL, cUL
Site Requirements	240V/50 amp service
	Personnel to position the system in place
	An electrician to install a 240VAC/50 amp IEC power cord, and connect the wiring between the power control and the transport.

Ordering Information – Model 5061

Model	Product Description
5061	Speed-Dri Infrared Drying Module (UL/CE-approved Drying Module including tachometer kit, electrical cords and interlock power cords)
Code	Dryer Length
16	16-inches (254 mm) (includes four 1875-watt, 240-volt lamps)
Code	Interlock Relay Type
1	24-Volts, AC
2	24-Volts, DC
3	120-Volts, AC
Code	Drying System Configuration
1DM	Single Drying Module System (includes one drying module, tachometer kit, all power cords, all mounting hardware)
2DM	Dual Drying Module System (includes two drying modules, tachometer kit, all power cords, all mounting hardware)
00	Drying Module Only (no mounting hardware included)

Ordering Example – Model 5061

	Model	Dryer Length	Interlock Relay Type	Drying System Configuration
Typical Model Number	5061	16	1	1DM

Accessories, Spare & Replacement Parts – Model 5061

Model	Description
085131-002	Replacement Tachometer Kit for 1 dryer (includes Tachometer, O-rings, Interface Cable and Mounting Hardware)
085131-003	Replacement Tachometer Kit for 2 dryers (includes Tachometer, O-rings, Interface Cable and Mounting Hardware)
084160-002	Replacement Tachometer Cable
106677-002	Extruded Aluminum Mounting Kit
099172-001	Replacement Electrical Power Cord (11-foot (3.4 m) length)
098768-001	Replacement Interlock Power Cord Assembly (includes Mating Plug)
106764-002	Field Replaceable Unit (FRU) Kit (includes five lamps and one reflector assembly)
106656-003	Medium-Wave, Infrared Lamp (1875-watts, 240-volts)
085143-002	Interlock Relay, 24 VAC
080821-001	Interlock Relay, 24 VDC
085143-001	Interlock Relay, 120 VAC
106676-002	Lamp Control Assembly (includes Solid State Relay and Control Board Assembly)
106823-001	Circuit Breaker
106813-001	Reflector Assembly
M5061	Additional Model 5061 Operation Manual (one supplied with each heating module or system)



Research, Inc. reserves the right, without notice, to alter or improve the designs or specifications of the products described herein. No warranty or guarantee of any kind is expressed or implied by information contained herein.